



**LENSES**

C/CS, M12, M10, M8, M6  
AND LARGE LENSES.



**FILTERS & DIFFUSERS**



- Mounted/Unmounted
- Absorptive
- Reflective
- Various Optical Types

**OPTICS  
ACCESSORIES**

HOLDERS, MOUNTS,  
ADAPTERS, MORE.



**PRODUCT DESCRIPTION:**

The FLA-MI-M-12522-00 is a **medium** M12 x 5 mm lens holder in the FRAMOS® Optics Accessories product line. This lens holder is available individually for order, as well as part of the M12 Kit, [FMA-MNT/M12-KIT-STD-v1a](#). Made from a durable and impact-resistant ABS thermoplastic, this lens holder measures 12.5 mm tall with an inner spacing of 17 mm. The mounting holes, separated by 22 mm hole distances, are compatible with provided M1.6 x 8 socket head cap screws and M1.6 hexagon nuts. Secure your next machine vision project and prototype quickly with the best lens fitting using this “ready-to-go” lens holder.

**Do You Need Help Choosing the Right Product?**

Our imaging experts are happy to provide you with a free consultation to discuss your needs. We will consider aperture, focal length, illumination, working distance and other key factors to make sure you can create the best possible vision system for your application.

**Selection Criteria:**

- Does the sensor and pixel size match the image circle and resolution of the lens?
- What is the focal length resulting from the working distance and the required image size?
- What lens mount is required for your camera?
- How much light is available and what is the optimum F-number?
- Is the lens suitable for the required wavelength, and do you need a filter?

**Applications:**

- Consumer embedded vision applications including webcams, live streaming devices, sports cameras, drone cameras and more
- Applications with the latest Sony® technology including ViSWIR, iToF, EVS, and more
- Automotive, UAV, security, AR/VR, and industrial robot applications interfacing with standard C-mount lenses, CS-mount lenses and S-Mount or M12 lenses
- “Ruggedized” and “shock-proof” lenses with high vibration and impact load, capable of providing accuracy and optical axis stability in printing, 3D measuring systems, and vehicle mounted systems.



**SPECIFICATIONS:**

**Technical Specifications**

- Manufacturer: FRAMOS
- Type: Lens Holder
- Mount Thread: M12 x 0.5 mm
- Centered: True
- Hole spacing: 22 mm

**Material**

- Material: Plastic, ABS
- Active Shelf Life: Indefinite
- Tensile Strength: 42.5 MPa
- Appearance: Black

**Hardware**

- Mounting Hardware: DIN912 M1.6 x 8 socket head cap screws (included)
- Fastening Hardware: DIN934 A2 M1.6 hexagon nuts (included)

**ENVIRONMENT, SAFETY AND MECHANICAL DETAILS:**

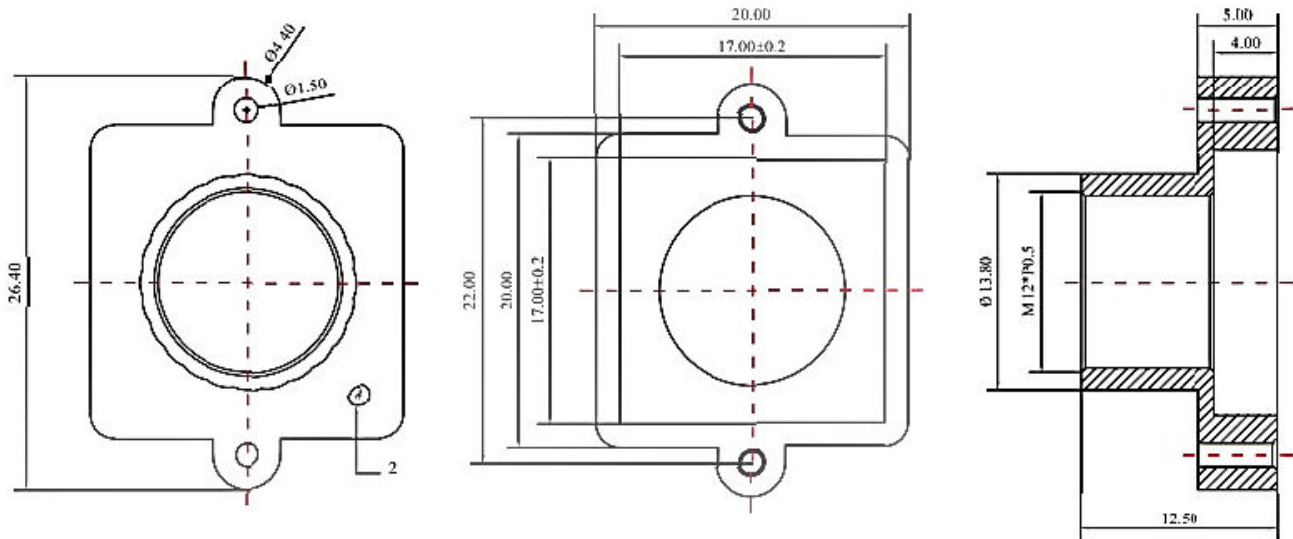
**Environment And Storage:**

Continuous Operating Temperature (Ambient): -20°C to +85°C  
Storage Temperature: -20°C to +85°C

**Physical Attributes:**

Mechanical size (H x D x W): 12.5 mm x 20 mm x 20 mm  
Hole distance: 22 mm  
Weight: Available upon request

**MECHANICAL DRAWING:**



Modifications to optical attributes, form, function, or performance, are supported on a per project basis.

Further documentation on the mechanical and electrical interfaces, technical drawings, and 3D models are provided on request at: [support@framos.com](mailto:support@framos.com)

**ORDERING INFORMATION:**

**Order Code:** FLA-MI-M-12522-00

To order or request additional information, please contact: [sales@framos.com](mailto:sales@framos.com).