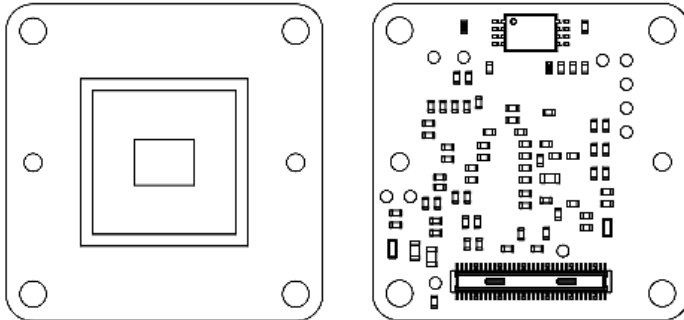




FRAMOS Sensor Module
2023-04-14
Version v1.2e

FRAMOS Datasheet



Contact Information

FRAMOS GmbH

Technical Support:
support@framos.com
Website:
<https://www.framos.com>

FSM-IMX296

a Sony® IMX296LLR / IMX296LQR Sensor Module

General Description:

This FRAMOS Sensor Module (FSM) provides the Sony IMX296 sensor on a very compact 26.5 mm x 26.5 mm module. The Global Shutter sensor has a native resolution of 1.6 [MP] and an optical format of 1/2.9 at a pixel size of 3.45 x 3.45 μm . The Module has a MIPI CSI-2 interface with up to 1-data lanes.

FRAMOS Sensor Modules enable users to seamlessly plug the latest image sensor technology into common processing platforms. These modules feature a fully modular design that utilizes standardized connectors and mechanicals. The modules include image sensors on a PCB and have resolutions from 0.4 MP to 24 MP with both rolling and global shutter options. FRAMOS Sensor Modules are ideal in evaluating a sensor as part of a proof-of-concept design. The modules also can compare and contrast multiple sensors using a common backend and integrate them into third-party processor boards.

Targeted Use:

Applications for industry, security and surveillance, and consumer cameras.

Specifications:

Model Name FSM-IMX296M / FSM-IMX296C (V1A-V1B)

Image Sensor

Vendor Sony IMX296LLR / IMX296LQR

Shutter Type CMOS Rolling Shutter

Technology / Grade Pregius (Gen2) / Sensing

Chromacity Mono

Optical Format 1/2.9"

Pixel Size 3.45 μm x 3.45 μm

Maximum Resolution 1.6 Mpx / 1456 x 1088 px

Framerate (Maximum) 60.4 FPS (1-Lane)

Bit Depth 10 bit

Interface

Data Interface MIPI CSI-2 (1 Lane)

Communication Interface I²C (4-wire serial)

Drive Frequency 37.125 / 74.25 / 54 MHz

Input Voltages 1.2V, 1.8V, 3.3V

Interface Connector Hirose DF40C-60DP-0.4V(51)

EEPROM (Sensor ID) No

Mechanical

Dimensions (H x W) 26.5 mm x 26.5 mm

Environmental

Operating Temperature -30°C to +75°C (function)

-10°C to +60°C (performance)

Storage Temperature -40°C to +85°C

Ambient Humidity 20% to 95% RH,
non condensing

Software Support

Driver V4L2 Based Device Driver
Libargus / Argus Camera (ISP Tuned)
Isaac ROS compliant

Supported Platforms NVIDIA Jetson Family: AGX Xavier,
Xavier NX, AGX Orin.
Qualcomm DragonBoard 410C

Software Version(s) NVIDIA JP5.1 / L4T35.2.1
DB410C: Linaro 18.01 / Kernel 4.14

Suggested Accessories and Adapters

Compatible FSA Type FSA-FT6/A

Recommended Devkit(s) FSM-IMX296x/TXA_Devkit (AGX)
FSM-IMX296x/NVN_Devkit (NX)

Lens Mounts M12 or C/CS-Mount options

Features:

- Image sensors on a PCB with connector, available off-the-shelf.
- Large lineup of products with resolutions from 0.4MP to 24MP, available with either rolling or global shutter imagers
- Available with MIPI CSI-2 (D-PHY) output.
- Converter boards for SubLVDS and SLVS imagers
- Standardized mechanicals with small footprints of 26.5 x 26.5 mm and 28 x 28 mm

Applications:

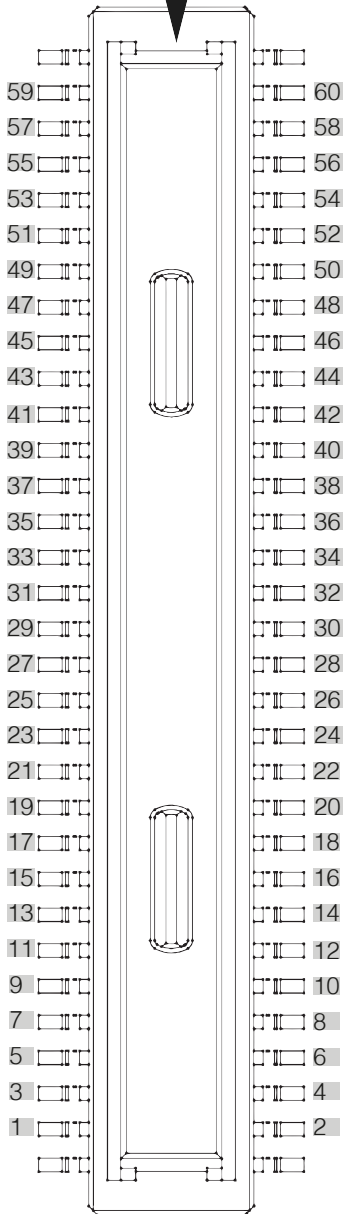
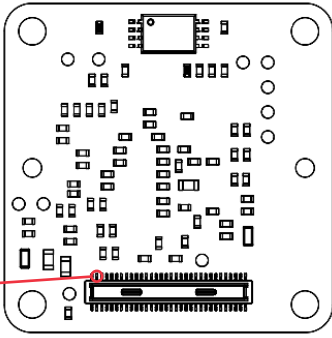
- Engineers looking to reduce their time-to-market with a rapid prototyping module, ready to integrate to various third party processing platforms.
- Embedded vision projects which benefit from an open platform by diving down to the component level. Gauge implementations against Sony's reference.
- Make educated "build vs buy" decisions and benefit from FRAMOS's long-term camera development experience for your tailored productization.

Note Some modules are compatible with earlier versions of Jetpack. Contact us for further available options.

Note A matrix with compatible Sensor Adapters (FSA) and Processor Board Adapters (FPA) for various setups can be found in the FSM Ecosystem User Manual.

PixelMate™ Connector Pinout and Signal Description

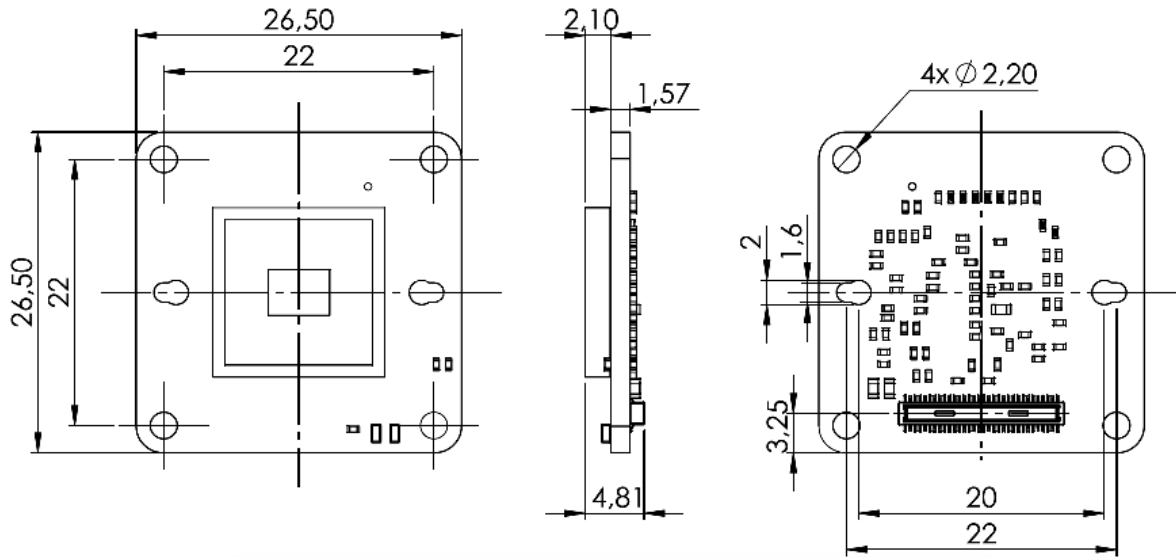
WARNING Pin 1 is identified on the board. Orient accordingly, paying close attention to the pin number in reference to the locator view illustrated below. Failure to align correctly will cause permanent damage.



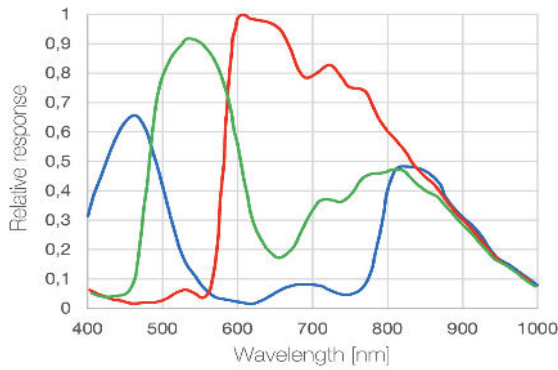
Note Signals are routed directly from image sensor to connector. Details on specific signals are described in the respective Sony® image sensor datasheet.

J1 Pin	Pin Description	J1 Pin	Pin Description
Pin1	NC	Pin2	NC
Pin3	NC	Pin4	NC
Pin5	3V3	Pin6	1V2
Pin7	3V3	Pin8	1V2
Pin9	1V8	Pin10	NC
Pin11	GND	Pin12	GND
Pin13	GND	Pin14	GND
Pin15	XCLR	Pin16	NC
Pin17	NC	Pin18	SDO
Pin19	XMASTER	Pin20	TOUT1
Pin21	SCK_SCL	Pin22	NC
Pin23	XCE	Pin24	NC
Pin25	XVS	Pin26	TOUT2
Pin27	SDI_SDA	Pin28	NC
Pin29	XHS	Pin30	NC
Pin31	XTRIG	Pin32	TOUT0
Pin33	NC	Pin34	NC
Pin35	SLAMODE	Pin36	NC
Pin37	GND	Pin38	GND
Pin39	INCK	Pin40	NC
Pin41	NC	Pin42	NC
Pin43	GND	Pin44	GND
Pin45	NC	Pin46	NC
Pin47	NC	Pin48	NC
Pin49	GND	Pin50	GND
Pin51	CSI_D0_N	Pin52	NC
Pin53	CSI_D0_P	Pin54	NC
Pin55	GND	Pin56	GND
Pin57	NC	Pin58	CSI_CLK_P
Pin59	NC	Pin60	CSI_CLK_N

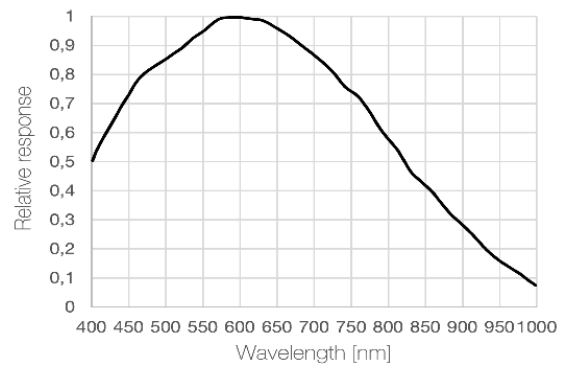
Physical Dimensions



**FSM-IMX296C (Color)
Spectral Sensitivity**

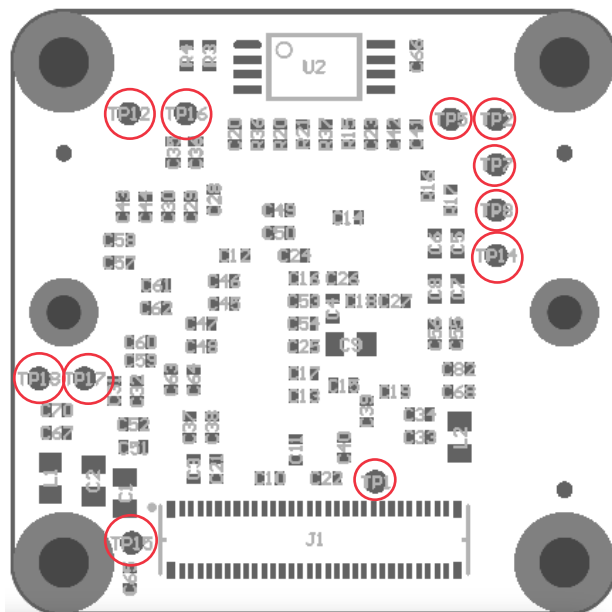


**FSM-IMX296M (Mono)
Spectral Sensitivity**



Note Additional information surrounding the image sensor can be found in the Sony® datasheets.

Testpoints



Test Point	Description
TP1	XHS
TP2	XVS
TP5	SCK SCL
TP7	SDI SDA
TP8	INCK
TP12	XCLR
TP14	GND
TP15	3V3
TP16	1V8
TP17	1V2
TP18	GND

Order Codes

FSM-IMX296M-000-V1B	No lens mount
FSM-IMX296M-01S-V1A	M12 Mount (DW LH-15.0)
FSM-IMX296M-01C-V1A	M12 Mount (CMT821B)
FSM-IMX296M-00G-V1A	M12 Mount (CMT168)
FSM-IMX296M-04G-V1A	C/CS-Mount (FMA-MNT-CCS/265-V1A)

While every precaution has been taken in the preparation of this document, the publisher and the author assume no responsibility for errors or omissions, or for damages resulting from the use of information contained in this document or from the use of hardware, programs and source code that may accompany it. In no event shall the publisher and the author be liable for any loss of profit or any other commercial damage caused or alleged to have been caused directly or indirectly by this document.