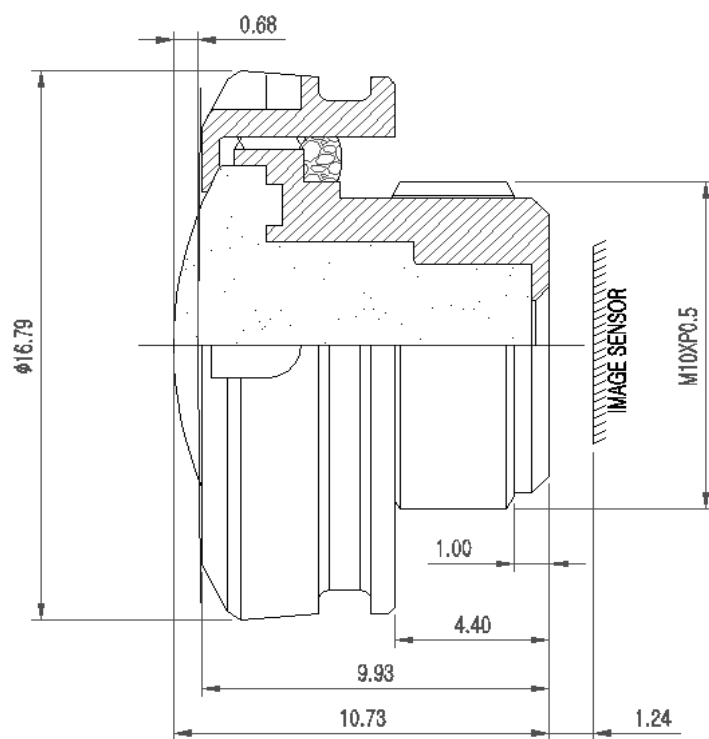




15422AS

Application		Automotive
Focal Length		1.5mm
Back Focal Length		2.4mm
Total Track Length		12.0mm
F No.		2.2
Iris		Fixed
Image Circle Diameter		1/4"(HM0445)
Sensing Area		Φ 4.48
Optical Distortion		-103.8%
TV Distortion		-37.7%
Angle of View	Diagonal	181.4°
	Horizontal	139.4°
	Vertical	103.0°
Chief Ray Angle(Φ 3.7)		28.3°
Relative Illumination(Φ 3.7)		30.4%
M.O.D		35cm - ∞
Resolution	On-Axis	82.6% @60lp/mm
	0.7 Field	65.9% @45lp/mm
Wavelength		Visible
Filter		IR Cut Filter : 650nm Cut(T:50%)
Waterproof		IP69



Tolerance : ±0.4mm